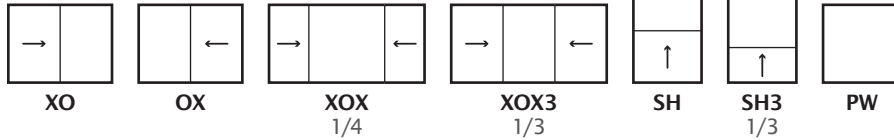


Viewed from the outside. Combos available.



The Clear Choice Is Crystal

Vista Vinyl Windows

Series 4000 | Replacement & New Construction Applications

SLIDERS, SINGLE HUNG & FIXED

QUALITY VINYL

15-point inspection program for assurance.

EFFICIENT DESIGN

Multichambered 3 1/4" frame provides strength, energy efficiency, and efficient water drainage.

INTEGRAL FINNS

Choose nail-on frame with nail fin and stucco key, retrofit frame with dual-wall flush fin or block frame with no fins (includes sloped sill adapter).

ENERGY-EFFICIENT GLASS

3/4" dual-pane unit with annealed glass and the high-performance Intercept® spacer system. Tempered glass available.

RELIABLE PERFORMANCE

Interlocking panels and weatherstripping guard against air and water infiltration.

DURABLE LOCKING

Secure auto lock latch will retract and engage automatically when closing window.

SIMPLE USABILITY

Operates easily and conveniently, includes adjustable dual-brass rollers with stainless steel axles and a vent latch on sliders.

BETTER SCREENS

Easy removal with integral corner pulls.

WARNING: Screens and vent latch are not fall prevention devices. Please take proper precautions.

CHOOSE WHITE OR CLAY

White standard.

INCREASE ENERGY EFFICIENCY

LowE3 performance glass and Argon gas available.

ENHANCE BEAUTY & STYLE

Colonial, Marginal, Queen Anne and Valance grid patterns available with flat or sculptured grid.

ADD PRIVACY & BEAUTY

Patterned and tinted specialty glass available.

PERFORMANCE SUMMARY

Class-PG: LC-25, LC-30

U-FACTOR: LE3/Ar (SS-SS) 0.30, 0.27

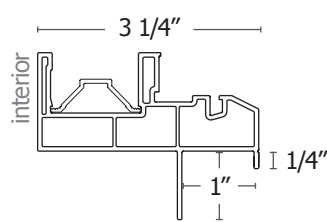
SHGC: LE3/Ar (SS-SS) 0.22, 0.25

U-FACTOR: LE3/Ar (DS-DS) 0.30, 0.26

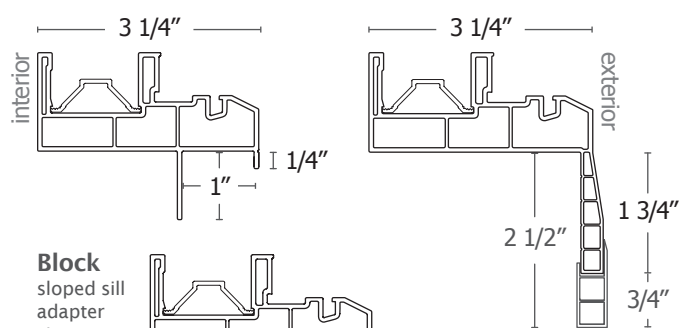
SHGC: LE3/Ar (DS-DS) 0.22, 0.25

FRAME CROSS SECTION

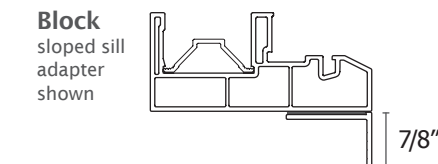
Nail-on



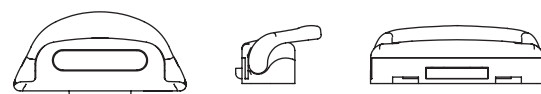
Retrofit fin extension shown



Block sloped sill adapter shown



AUTO LOCK PROFILE (top, side & back view)



LowE3 / Argon for Title 24